

SE32615-2, SE9092

Insulated Stool

Description

Insulating stools are used in electrical system maintenance operations. It ensures a safe distance between the electrician and ground potential, promoting greater comfort during electrical system interventions by increasing the working height.

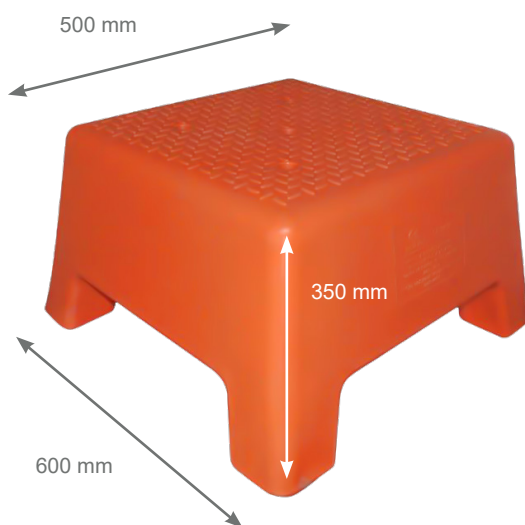
Application

Used in electrical system interventions, during which electricians need to stand farther away from the ground potential, in addition to providing comfort as tasks are performed from a higher work position.

Technical Specifications

Reference	Rated working capacity	Approx. Weight
SE32615-2 Stepless model	120 daN	4.65 kg
SE9092 Stepped model	120 daN	18 kg

SE32615-2



SE9092

